

Bed Locator & Docking Station



The **Bed Locator & Docking Station** is provided to properly position the patient bed as well as protect the room walls. Space for four electrical devices is provided on each side of the Bed Locator. To safeguard these devices from damage, they are angled away from the bed; a low voltage lighting controller can be provided within the Bed Locator. The exposed portion of the Bed Locator is manufactured from single seamless, high impact plastic which makes it strong and easy to clean. Standard color is Polar White, other colors are available.

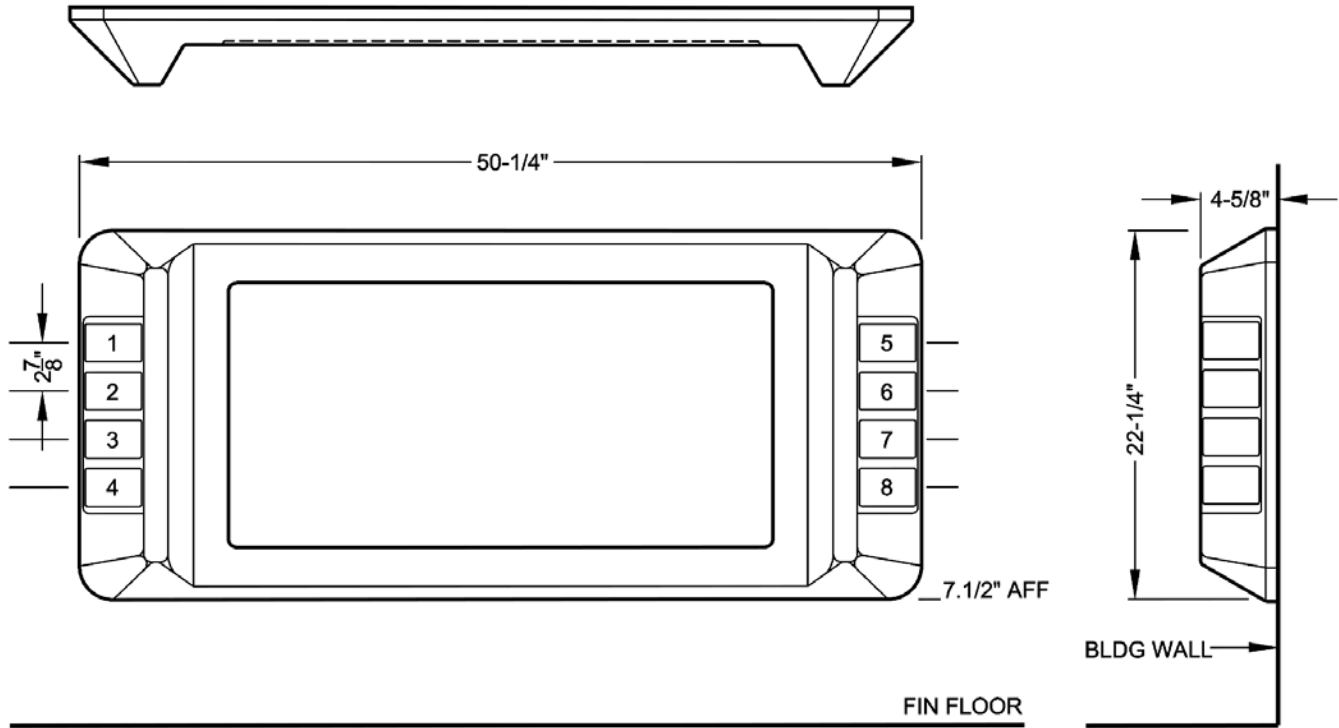
Available Devices

- A variety of Electrical Receptacles
- Telephone Outlet
- Data Jack
- Night Light
- Bed Communication Jack
- Low Voltage Controller

Ordering Information

Description	Part Number
Docking Station with No Services	218613
Docking Station with up to 8 Services	218612

Weight: 50 lbs
Dim: 50.25" x 22.25" x 4.62"



Ordering Information

Select one device from the following for each of the eight available locations

Device	1	2	3	4	5	6	7	8
Electrical receptacle, Hospital Grade, Duplex, Normal								
Electrical receptacle, Hospital Grade, Duplex, Emergency								
Electrical receptacle, Hospital Grade, Single, BED ONLY								
Telephone Outlet (RJ-11)								
Night Light								
Bed Communication Jack								
Provision for Low voltage connector								
Low Voltage Lighting Controller (internal)								