



www.HSIheadwalls.com

Installation Instructions

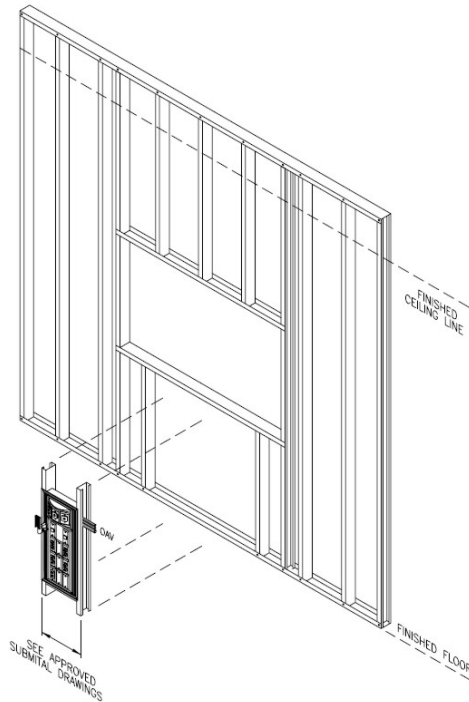
Tel: 925.427.7800

Fax: 925.427.0800

support@HSIheadwalls.com

Hospital Systems Inc.
750 Garcia Avenue
Pittsburg CA 94565
USA

Axiom™ Flush and Curve Under Window Headwalls



Introduction:

The Flush Headwall is made to order for this project. Each headwall consists of the pre-wired and pre-piped headwall that is particular to each location or type.

Before attempting to install, please read and understand all of the instructions. **In particular please refer to the final approved submittal drawings as they will take precedence over these instructions**

Basic Steps for Installing the Headwalls

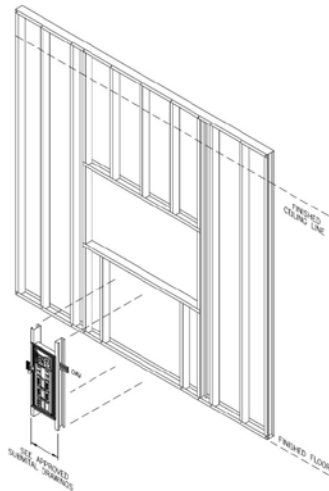
- Prepare stud wall to accommodate headwall
- Install the headwall [with attached studs] within the new stud wall
- Connect medical gas piping and test
- Install drywall and finish building wall
- Install all electrical and communication wiring and make appropriate connections
- Test, close, and clean



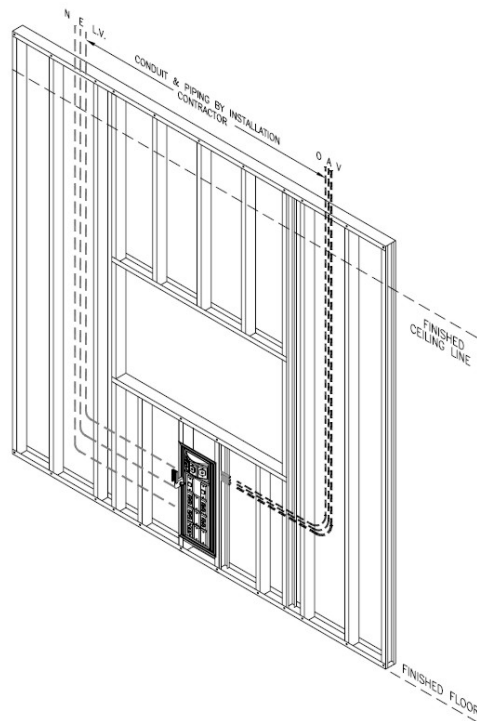
Do NOT use powered screwdrivers on devices or coverplates. Stripped holes or screw heads are NOT covered by warranty

Installation of Headwall

1. Locate the Headwall unit. The serial number is marked on the end of the carton as well as on the headwall. Serial numbers can be matched to the approved submittal drawings.



2. Place the headwall [with its attached studs] in the proper location, check for vertical plumb and tie it to both the upper and lower tracks. Install any cross bracing that may be required.



3. Medical Gas Lines are stubbed to the right 6" and tested for connection. Connect and test medical gas lines. Contractor to bring medgas lines down building wall and under window to attach to the headwall stubs.

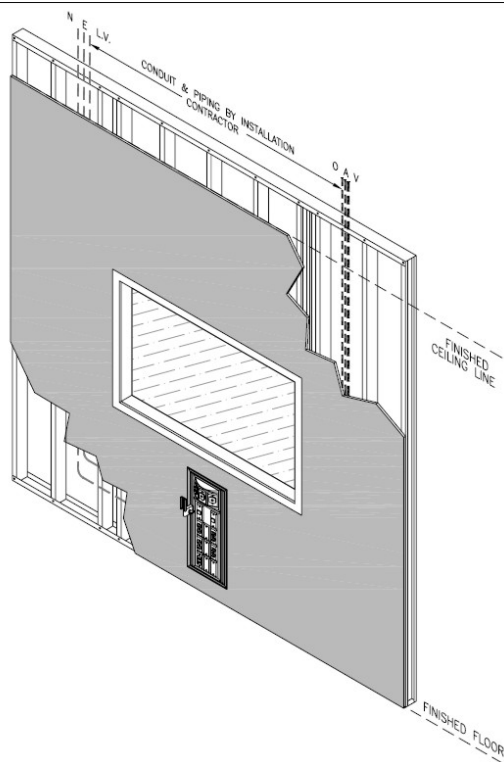


The inert gas (i.e. N₂, CO₂), used in brazing, must not overheat the gas outlets. (Suggestion - have inert gas flow through and away from the outlet.) Damage to the outlet due to overheating is NOT covered by warranty.



All piping and medical gas outlets in the headwalls are debris-free. Please use care when blowing down the system piping that no debris comes into the headwall as damage to the medical gas outlet 'O' rings may occur. Damaged outlets are NOT covered by warranty

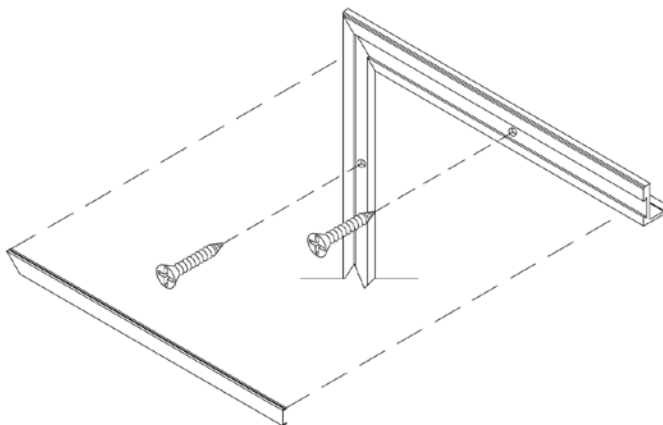
4. Headwall includes conduit to the left. 6" stubs are preinstalled, and a 15 ft wire whip is provide to accommodate contractor supplied conduit and junction box above the ceiling. Contractor to install conduit and appropriate junction box.
5. Drywall contractor can now install drywall. Headwalls are set for 5/8" drywall. We suggest that a bead of caulk be laid on the stud face before inserting the drywall between the stud and the headwall trim for sound attenuation.



6. Remove the snap-in trim from the aluminum trim around the outside edge of the headwall. Screw through the holes provided in the extrusion trim around the edge of the headwall. [Through the trim, the drywall and into the studs and track.]
7. Replace the grey trim



Protect the headwall before applying the drywall 'tape and mud'. We suggest using blue painters tape [orange center] around edges.



8. Communication wiring should go through the junction box directly to the device that it will serve. A pull cord has been provided.
9. Install low voltage devices per the installation instructions of the device manufacturer. Mounting holes are drilled and tapped for 6-32 screws. Note: for telephone and/or data jacks, we have provided a module holder and coverplate. These holders will accommodate standard

RJ-11, and RJ-45 modules. DO NOT INSTALL standard wall box plates. Additional holders and cover plates as well as modules (in various colors, and blanks) are available from the manufacturer of the headwalls

Final Test

Medgas outlets: Complete the testing as per NFPA-99.

Electrical devices: Test electrical receptacles and other devices per local code and general practices.

10. Use a soft cloth with non-abrasive cleaner (i.e. 409 or Windex) to remove dirt and fingerprints.