

# INSTALLATION, OPERATION, AND MAINTENANCE STAINLESS STEEL STATIONARY CEILING SERVICE COLUMN

[www.HSIheadwalls.com](http://www.HSIheadwalls.com)

## Installation Instructions

Hospital Systems, Inc.  
750 Garcia Avenue  
Pittsburg CA 94565  
USA

Tel: 925.427.7800

Fax: 925.427.0800

[support@HSIheadwalls.com](mailto:support@HSIheadwalls.com)



## **MOUNTING PLATE INSTRUCTIONS**

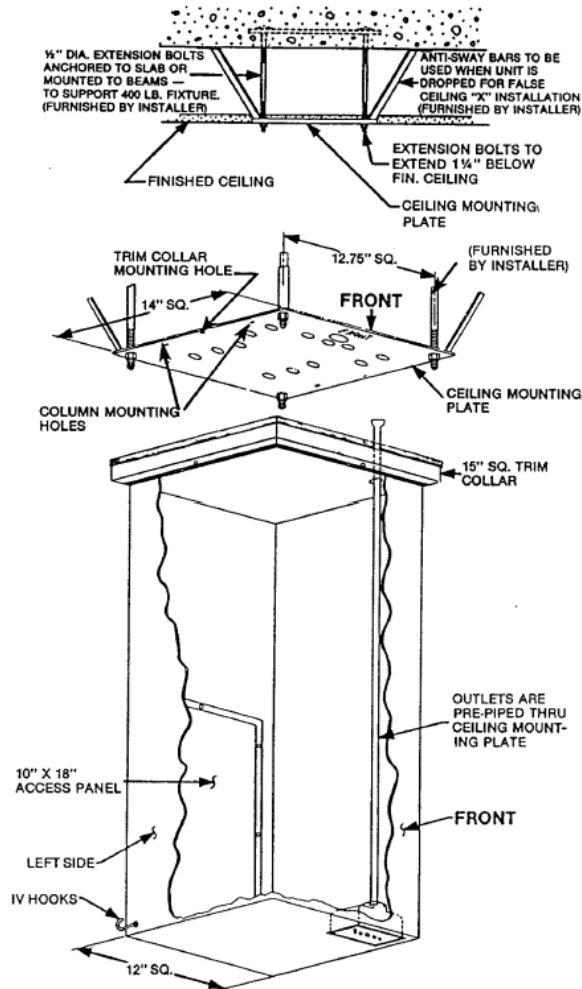
Before installing the ceiling mounting plate, coordinate with other trades to avoid conflict with other ceiling services; e.g., avoid interference with the arc of ceiling mounted surgical lights, and allow access to, and above, finished ceiling line for plumbing and electrical work.

Orient the ceiling mounting plate to position the finished column. The front side of the finished column is indicated on the bottom side of the ceiling mounting plate by the word "FRONT". Refer to shop drawing for recommended placement.

Secure by using four (min. 1/2" inch dia.) extension bolts as shown on the typical installation, Figure 1. Ceiling mounting plate should be flush with finished ceiling and must be level.

## **STATIONARY COLUMN MOUNTING INSTRUCTIONS**

1. Before unpacking, check carton for any sign of damage. If damaged, this should have been noted on freight bill at the time shipment was received. If damage is discovered during unpacking - before proceeding, call freight carrier and make a concealed damage claim.
2. Unpack, being careful not to scratch the polished, stainless steel surface. The IV hooks and trim collar mounting bolts 1/4 -20 x 2" are packed on the bottom face of the column. Remove only enough protective paper to facilitate installation.
3. Without disassembling the column, lower the 15" square stainless steel trim collar. Match the front side of the column (side opposite access panel) with "Front" stamped on the ceiling mounting plate and secure the complete column to ceiling mounting plate with four 3/8"-16 x 3/4" bolts (shipped with ceiling mounting plate). Also remove access panel located on the back of the column.
4. Braze the proper Medical Gas Supply to the same outlet extension identified for the correct gas service. Verify that the labeled tube extension for each medical gas corresponds to the stamped service identified on the medical gas outlet mounting bracket. Connection to the medical gas distribution system must be made in accordance with NFPA Pamphlet 56F, Chapter 5, and or job specifications.
5. Pressure Test complete Medical Gas System as outlined In NFPA 99, and/or job specifications.
6. At this point, all electrical work should be completed in compliance with local codes and safety regulations, Including wiring of all electrical and grounding outlets. EEG/ECG outlets should be wired per monitor manufacturers recommendations.



OUTLETS ARE PRE-PIPED THRU CEILING MOUNTING PLATE  
TYPICAL INSTALLATION

Figure 1

7. After all electrical tests have been completed, raise trim collar and attach to mounting plate using (4)1/4"-20 x 2" stainless steel bolts shipped with the column.
8. Install (4) IV hooks, with small S.S. washer and hex nut into the captured nuts on both sides of the column.
9. Replace 10" x 18" access panel and install medical gas completion kits.
10. Remove balance of protective paper.

#### OPERATING INSTRUCTIONS

Stationary Stainless Steel Columns are designed for one piece construction and contain no moving parts. The high grade steel resists stains and rusting. Cleaning the shell requires only commercially available cleaners and hospital disinfectants suitable for stainless steel.

Accessory equipment, factory installed, include stainless steel faceplates of the same quality.

#### MAINTENANCE AND REPAIR

Stationary Stainless Steel Columns require minimal maintenance. It is important to maintain the Medical Gas Distribution System for peak performance. Follow recommended Medical Gas Outlet Station Maintenance Procedures as delineated by the medical gas outlet manufacturer.

## REPLACEMENT PARTS LIST

<b>ELECTRICAL DESCRIPTION</b>	<b>CATALOG NUMBER</b>
23000 HG Hubbell 20 amp Twist Lock	290020
8200 HG Duplex 15 amp Hospital Grade	290073
8300 HG Duplex 20 amp Hospital Grade	290078
Ground Jack	298229

<b>COLUMN DESCRIPTION</b>	<b>CATALOG NUMBER</b>
I.V. Hook	211969
Black Vinyl Trim	211970