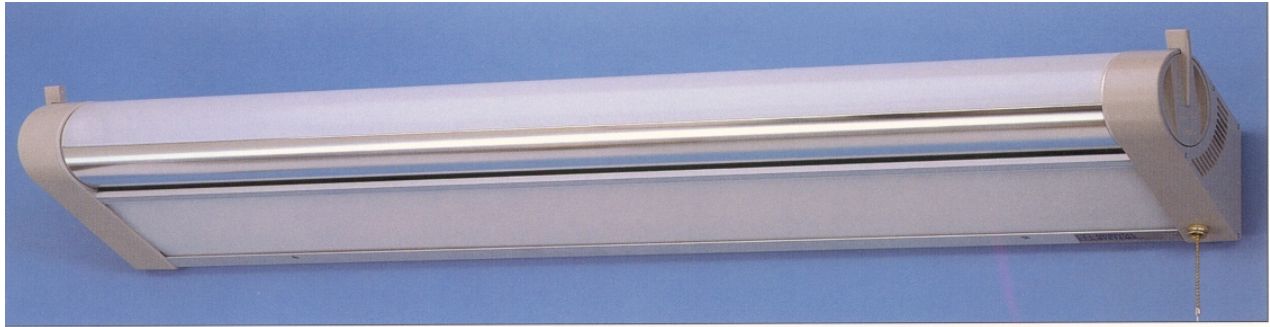


## Aurora Overbed Light



The **Aurora Overbed Light Fixture** is a high quality patient room light that provides three-way lighting with convenience and elegance. It is especially designed for both acute care and general patient rooms.

The Aurora light provides examination lighting by rotating the upper portion of the fixture over to aim all four lamps on the patient. Lights in these areas may be inadvertently damaged or even torn off the wall by IV holders, traction bars or other equipment attached to a rising bed. To prevent damage to the light, the bed is plugged into a receptacle that is powered via a microswitch in the light. If pressure is exerted under the light, the switch opens, the receptacle is de-energized and the bed motor is stopped.

The Aurora is designed for four fluorescent rapid start lamps, with separate circuits for the down light and the up light. The fixture can be for either three-foot or four-foot lamps.

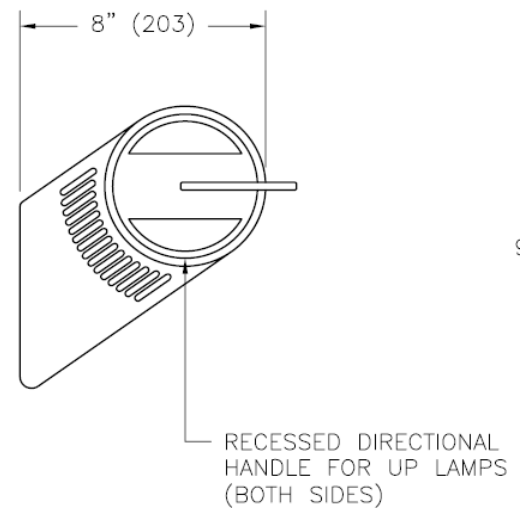
The Aurora is designed specifically for hospital use, easy maintenance, and with smooth flush fitting surfaces to reduce housekeeping chores.

The Aurora is a sturdy unit that has engineered resin end caps. Quality aluminum extrusions form the body and mounting plate. Upper and lower lenses are impact resistant, non-yellowing virgin acrylic plastic.

Integral night-lights can be added to either side of the fixture and can be operated by a pull cord or a remote switch.

**Features**

- General Room Light
- Examination Light
- Reading Light
- Bedside control
- Controlled from the nurse call pendant, the bedside controls, a pull cord, or remotely switched.
- Quality Construction
- Silent Operation
- Uses standard 3 foot or 4 foot lamps in either T-12 or T-8 configurations.
- Easy Installation
- Many voltages available 120, 220, 240 or 277 Volt ballasts available in 50 or 60Hz.
- Optional Night Light
- Safety Circuit
- Available in 3ft and 4 ft



**Ordering Information**

Description	Part Number
3ft Light	171319
4ft Light	171419

**Shipping Information**

52" x 12" x 10"  
30 lbs