

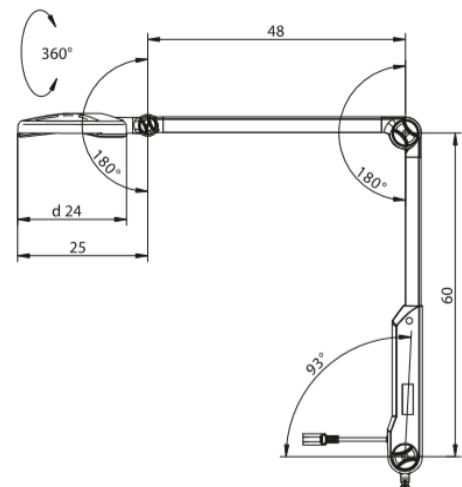
Visiano 20-2 LED Exam Light



The **Visiano 20-2 LED Examination Light** boasts superior quality and easy handling to make this the ideal light for medical examinations and procedures.

Features:

- Antimicrobial
- 4 dimming levels
- 3 Color Shades
- 360° head rotation
- 3500K and 4500K color temperatures
- 100-240V; 50/60Hz
- 60,000 Lux at 19.7" (.5 Meters)
- 8.3" Illumination area
- Integrated Low Voltage transformer
- Aluminum frame and spring-balanced joints
- Enclosed design for easy sanitizing



Ordering Information:

| Part Number | Description |
|-------------|-------------------------|
| 508700 | Unimount™ Track Mounted |
| 608700 | Eclipse™ Rail Mounted |
| 708700 | MA Rail Mounted |
| 808700 | Ohio Rail Mounted |