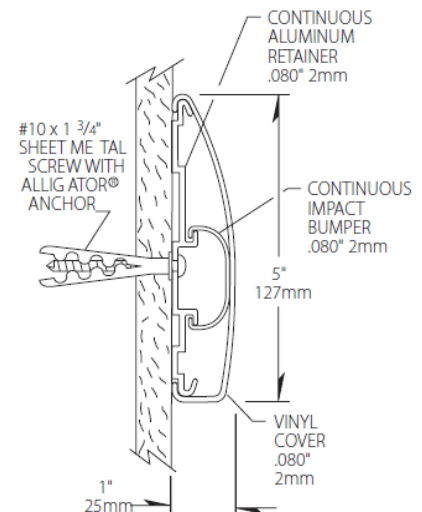


The **Inpro® Wall Guard** systems are designed for wall protection and decoration. These guards are comprised of an aluminum retainer and an extruded vinyl cover. Inpro® wall guards have been tested and meet the GREENGUARD Environmental Institutes and state of California's requirements for low emitting product.



Features:

- Available in wide variety of Woodlands wood grain and solid color patterns
- Available in Vertical or Horizontal orientation
- .080" thick scratch and stain resistant vinyl
- 5" of wall protection with a 1" wall protrusion for low profile protection
- Mounting fasteners are included
- Manufactured by **inpro.**



Ordering Information:

Description	Part Number
24" Wall Guard	909405
30" Wall Guard	909406
36" Wall Guard	909407

* Must note vertical or horizontal orientation at time of order. Vertical wall guards come as a pair.