



Ceiling Column

www.HSIheadwalls.com

Installation Instructions

Tel: 925.427.7800

Fax: 925.427.0800

support@HSIheadwalls.com



Hospital Systems Inc.
750 Garcia Avenue
Pittsburg CA 94565
USA

Introduction:

The Hospital Systems, Inc. Ceiling Column is made to order for this project. Each unit consists of a rough-in Plate, ceiling column with devices that are pre-wired or pre-piped, and ceiling finish trim.

Before attempting to install, please read and understand all of the instructions. In particular please refer to the final approved submittal drawings as they will take precedence over these instructions

Basic Steps for Installing the Ceiling Column

- Prepare ceiling to accommodate the unit
- Mount the rough-in bracket to the contractor supplied bracing, level and secure
- Install electrical and communication conduit to the mounting bracket as shown on approved submittal drawings
- Mount the column
- Make internal connections
- Replace cover
- Test and Clean



Do NOT use powered screwdrivers on devices, coverplates or cover mounting screws.. Stripped holes or screw heads are NOT covered by warranty

Preparation for the Rough-in Plate

Determine the location of the ceiling column from the approved submittal drawings and the contract drawings. Contractor to fabricate angles bars and running thread to match the existing conditions and dimensions. You may be required to have engineering approval for your mounting. The mounting method shown in these installation instructions is a suggestion, and may not meet your local conditions.



Refer to approved submittal drawings for any dimensional changes

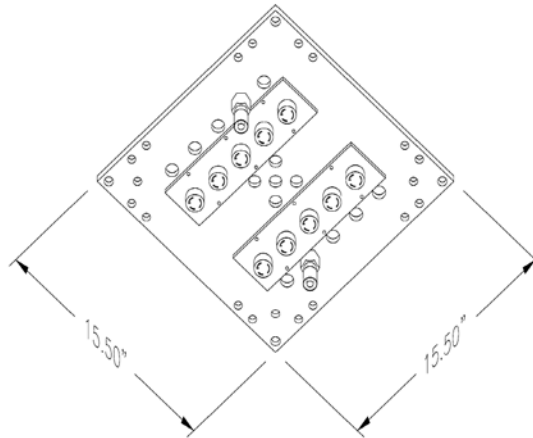


Figure 1 Rough-in Plate

Mounting of the Rough-in Plate

The rough-in plate consist of a steel plate $\frac{1}{4}$ " thick. Pre-mounted to the plate are up to 10 DISS medical gas outlet and up to 10 electrical or data connections. The electrical connections employ 20A twist-lock receptacles, the data provisions will require voice / data / video connectors provided by others. Refer to the approved submittal drawings for the number and combination of medgas/electrical/data devices. Number of devices is project specific.

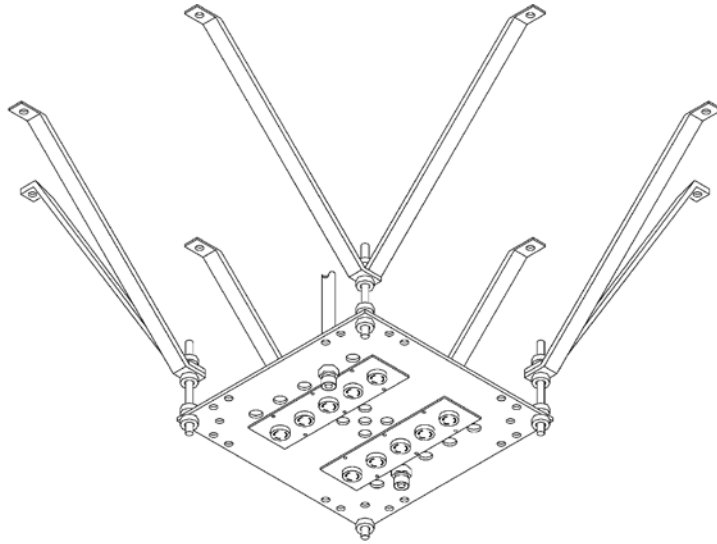


Figure 2 Rough-in Plate and suggested mounting brackets

Medical gas outlets are provided with a stub above the mounting plate for connection to the main system. Once connected, this becomes your terminal outlet and all NFPA testing requirements can be completed.

All electrical and data connections are made within the provided junction box mounted to the top of the plate.

Electrical testing can now be completed.

Data cables should be pulled through the junction box so that there is enough cable to reach the final Data box [approx 48" for fixed columns, 60" for retractable columns]



Be sure that the Rough-in Plate is mounted level, and is locked in place.



Once the Rough-in Plate is installed, connected, and tested, we suggest wrapping it in plastic to keep the devices and medgas outlets clean.

The ceiling may now be completed before the column is mounted.

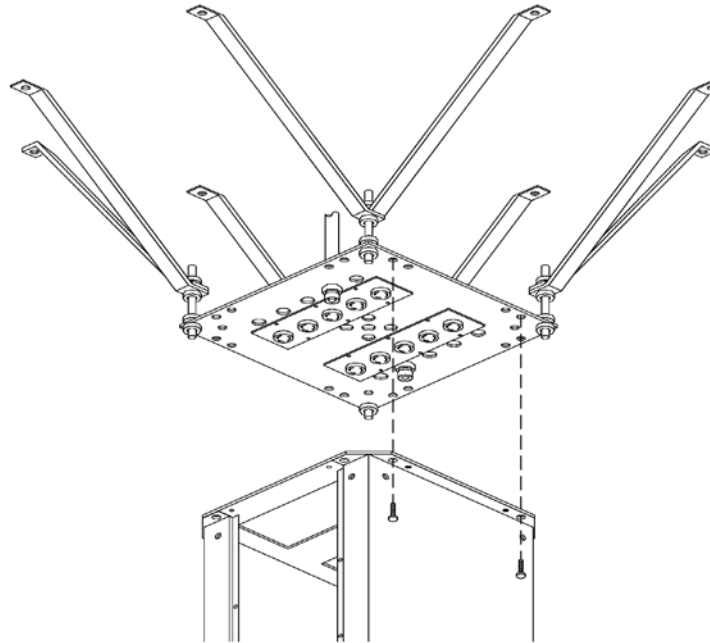


Figure 3

Mounting the Column

Check that the Rough-in Plate is still level in all directions.

Remove the ceiling column from the packaging. The access cover should not be removed at this time. The drawing in Figure 3, will show the access cover removed, this is for illustrative purposes only. Note, that the top plate of the column will match with the Rough-in Plate. Check orientation of the column with the shop drawings and the contract drawings. Raise column and attach it to the Rough-in Plate with the eight mounting bolts.



Be sure these mounting bolts are tight

The access door should now be removed.



Be sure to keep all screws and coverplate together for later re-installation

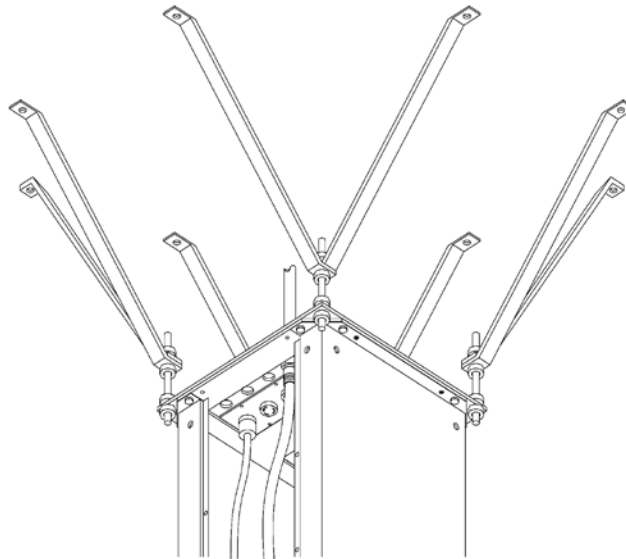


Figure 4

Attach the Hoses and Cords

Attach the medgas hoses to the appropriate DISS fitting on the Rough-in Plate. Note the DISS outlets will not cross-connect. Fittings should be finger tight. Do not use a wrench.

Plug in the electrical receptacles; please observe the circuit number on both the receptacle and the plug.

Attach the Ceiling Finishers

Attach the four ceiling finisher using the provided screws.

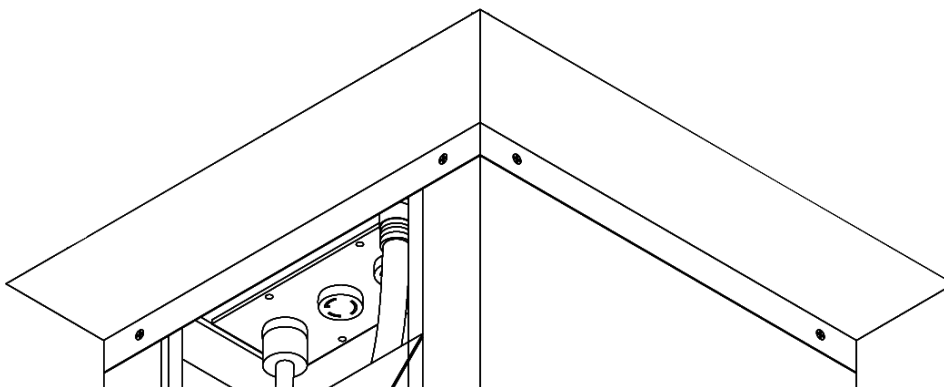


Figure 5

Now would be a good time to check that everything is attached properly and that the correct receptacles are on the correct circuit, and that the medgas is flowing properly.

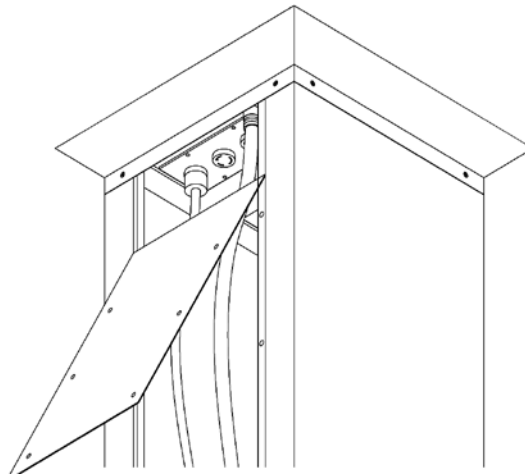


Figure 6

Replace the Access Cover

Slide the access cover up under the ceiling finisher, and insert the access cover screws.

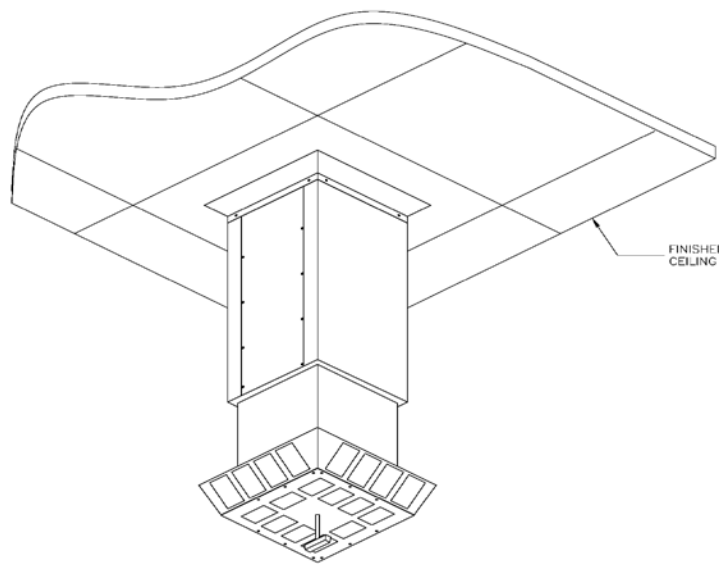


Figure 7

Drawing show retractable column, fixed columns follow the same installation procedure

Cleaning

Use a soft cloth with non-abrasive cleaner (i.e. 409 or Windex) to remove dirt and fingerprints.